

4

3

2

1

F

F

E

E

D

D

C

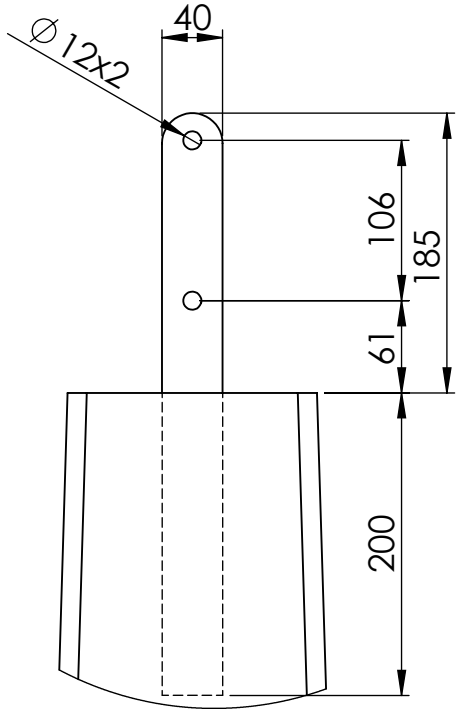
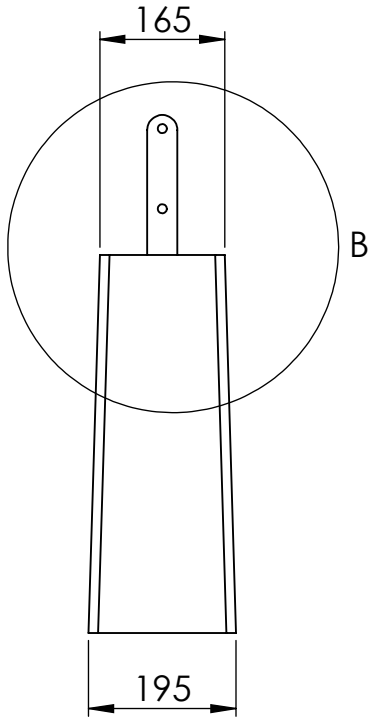
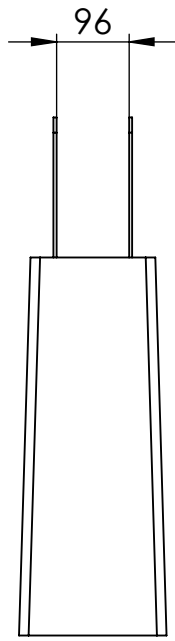
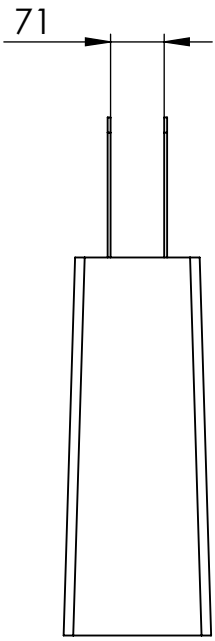
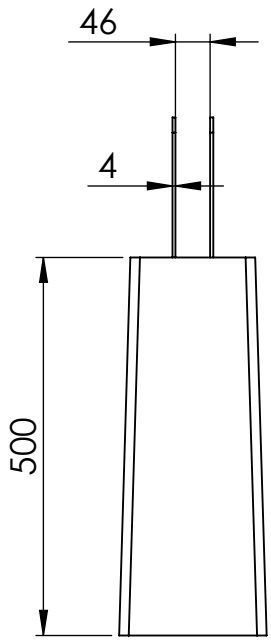
C

B

B

A

A



DETAIL B
SCALE 1 : 5

TITLE:
500 mm plint

DWG NO.
50_plint_standard



A4

SCALE:1:10

SHEET 1 OF 1

4

3

2

1